

Instructions for the Broadcast MPX Codec Decoder

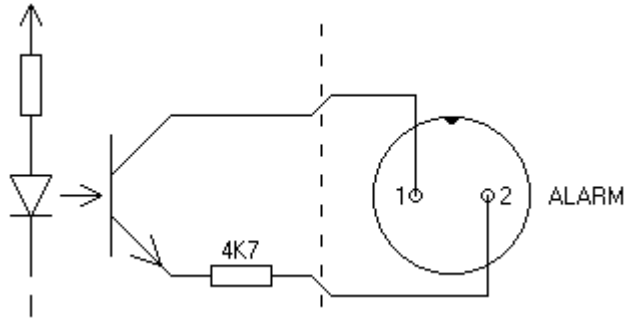
Overview of the Decoder (without option) :



Specifications of the inputs and outputs (decoder without option) :

G703-IN :	HDB3 signal in G703 format flow : 2Mbit/sec input impedance : 75 Ω input level : 5.0Vpp connector : BNC female
G703-OUT :	HDB3 signal in G703 format flow : 2Mbit/sec output impedance : 75 Ω output level : 5.0Vpp connector : BNC female
MPX-OUT / 6dBm :	MPX composite sound output impedance : < 60 Ω output level : 6dBm at 600 Ω ripple : -0.8 to 1.1dB bandwidth : -3dB at 10Hz and -3dB at 85kHz connector : BNC female
MPX TEST :	MPX composite sound output parallel to MPX-OUT connector : BNC female

ALARM : interface for an external use of the muting indication
contact closed : no alarm
contact opened : alarm active or appliance off
alarm keeping : 1 second
connector : micro 2 poles male



Power supply : network 230VAC +/-10%
consumption : 10W
fuse : 1A time lag (dimensions 5x20mm)

Options available :

- Option 50V : power supply 36 to 65VDC
- Option L+R : stereo sound available on two XLR outlets (L-OUT and R-OUT)
- Option E1-Sel : selection between two HDB3 inputs (G703-IN1 and G703-IN2)
switching on G703-IN2 if G703-IN1 is neutral or corrupt

Summary of the inputs and outputs (decoder with all the options) :

G703-IN1 :	input of the principal HDB3 signal
G703-IN2 :	input of the secondary HDB3 signal
G703-OUT :	output of the selected HDB3 signal
MPX-OUT / 6dBm :	MPX composite sound
MPX-TEST :	MPX composite sound
ALARM MUTING :	muting indication
ALARM E1-SELECT :	indication of running with the secondary HDB3 signal
L-OUT :	mono sound (left channel)
R-OUT :	mono sound (right channel)